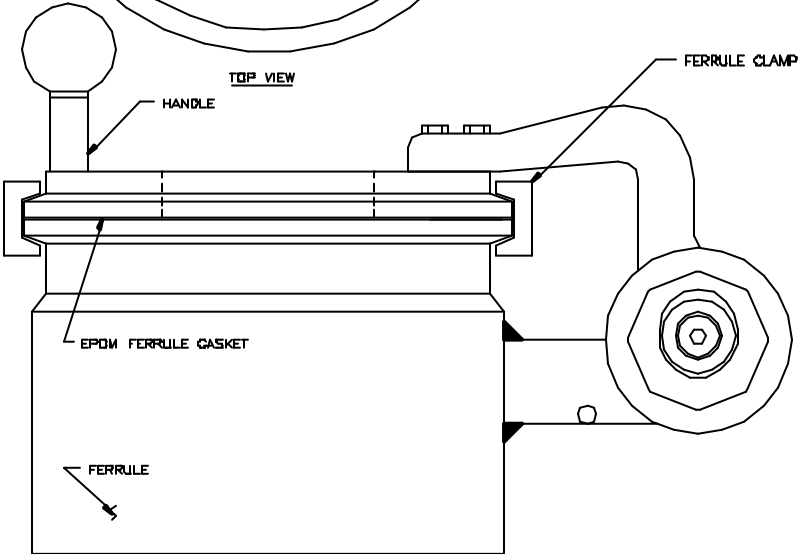


TOP VIEW



SIDE VIEW



P.O. Box 1116 * Twinsburg, OH 44087
 Phone: (330) 405-3040 * Fax (330) 405-3040
 E-mail: view@ljstar.com * Website: www.ljstar.com

TITLE
 HANDHOLE WITH METAGLAS
 METACLAMP

---	---	---	---
REV	DESCRIPTION	DATE	DRAWN
	REVISION		
SIZE	SCALE	DWG. NO.	REV
A	NONE	021078	—