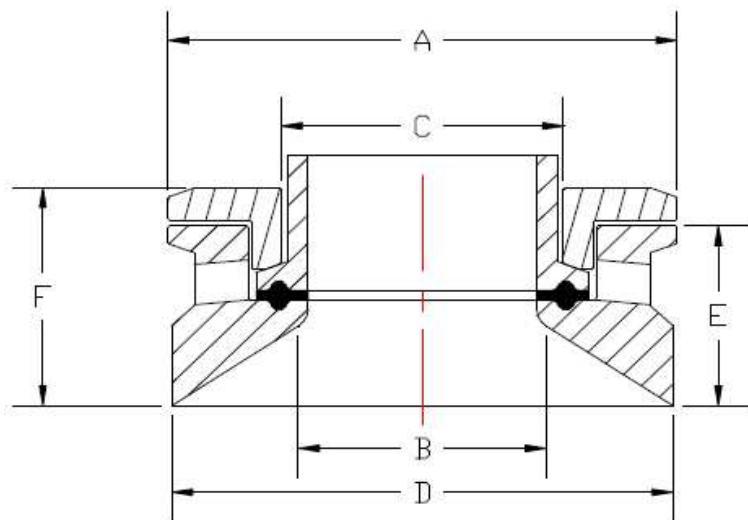


| Nominal Size | Clamp Size | "A" | "B" | "C" | "D" | "E" | "F" |
|--------------|------------|---------|--------|--------|---------|--------|--------|
| 1/2" | 1 1/2" | 1.984" | .370" | .813" | 1.875" | 1.000" | 1.313" |
| 3/4" | 1 1/2" | 1.984" | .620" | .813" | 1.875" | 1.000" | 1.313" |
| 1" | 2 1/2" | 3.047" | .870" | 1.720" | 3.000" | 1.125" | 1.375" |
| 1 1/2" | 2 1/2" | 3.047" | 1.370" | 1.720" | 3.000" | 1.125" | 1.375" |
| 2" | 3" | 3.579" | 1.870" | 2.250" | 3.500" | 1.125" | 1.375" |
| 2 1/2" | 4" | 4.682" | 2.370" | 2.750" | 4.500" | 1.188" | 1.500" |
| 3" | 4" | 4.682" | 2.870" | 3.125" | 4.500" | 1.188" | 1.500" |
| 4" | 6" | 6.570" | 3.834" | 4.188" | 6.500" | 1.813" | 2.188" |
| 6" | 8" | 8.570" | 5.782" | 6.188" | 8.438" | 1.813" | 2.188" |
| 8" | 10" | 10.570" | 7.782" | 8.125" | 10.438" | 1.813" | 2.188" |



Patent Pending

MATERIAL TYPE

All Stainless Steel
Nickel Alloy Material

DELIVERY

Stock - Ship same day if necessary
Non-Stock - Please Inquire

PRODUCTS APPLICATIONS

Sight Glasses & Light Ports
Instrumentation
Drip & Dip Tubes
Rupture Discs